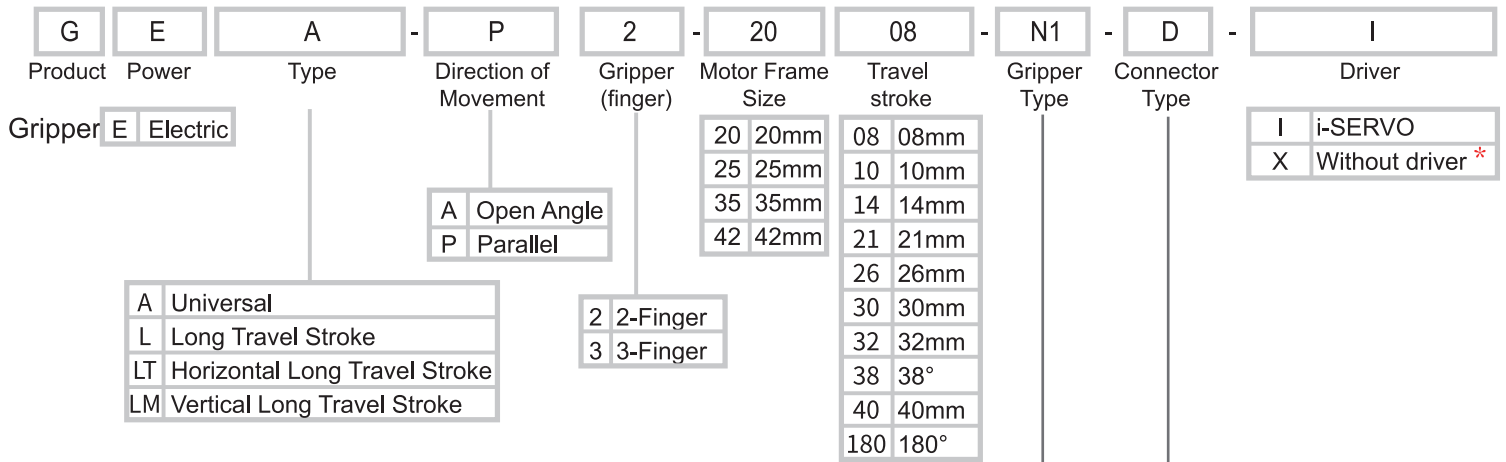
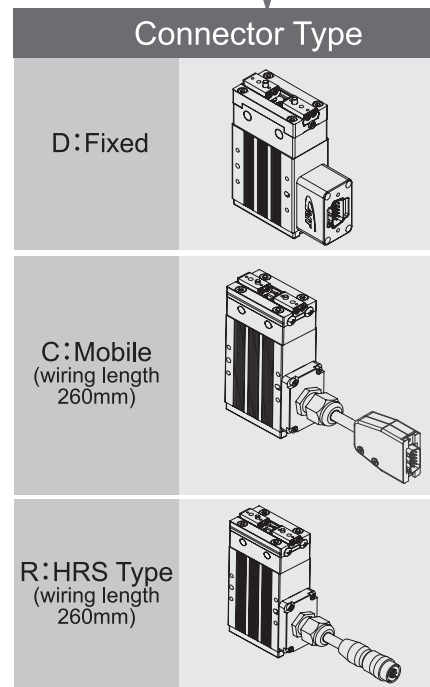
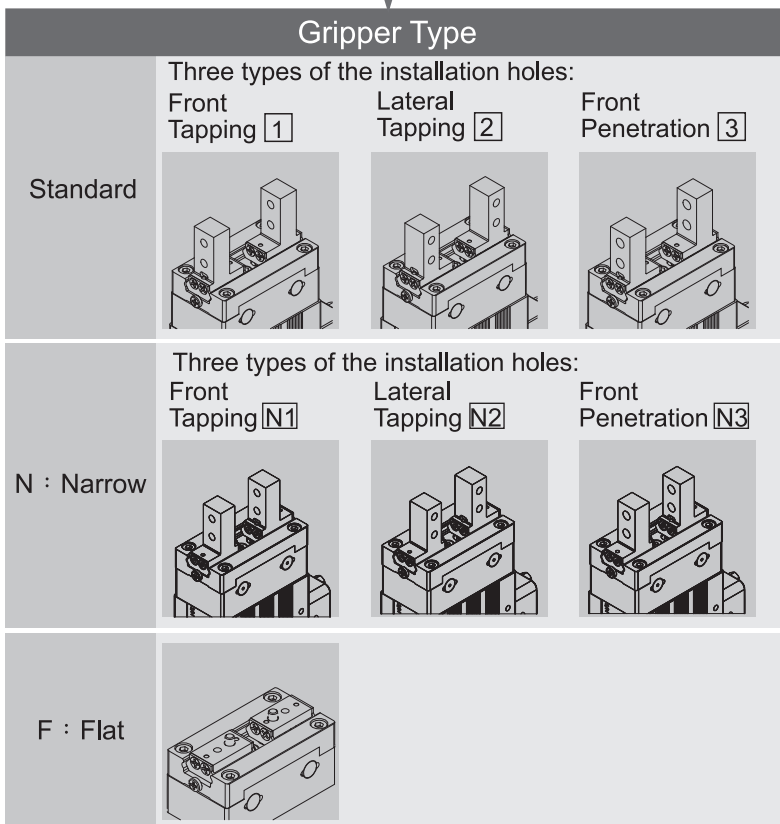


# Description



\* No driver : The gripper mechanism purchased by the customer is damaged; alternatives can only take place when the mechanism and the driver are of the same specifications.

※ Please refer to Electric Gripper Catalog for the actual selection.



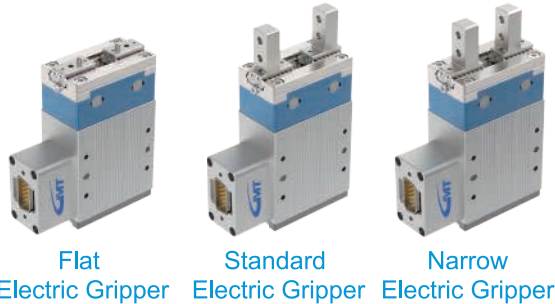
※ The following slide blocks are normally in stock :

Standard 1-Narrow N1-Flat F

# Electric Grippers

## 2-Finger

### GEA-P2



Flat Electric Gripper    Standard Electric Gripper    Narrow Electric Gripper

### GEA-A2



Open Angle Electric Gripper

### GEL-P2



Long Travel Stroke Electric Gripper

### GELT/M



Vertical Long Travel Stroke Electric Gripper



Horizontal Long Travel Stroke Electric Gripper

## 3-Finger

### GEA-P3



Flat Electric Gripper    Standard Electric Gripper    Narrow Electric Gripper

### GEA-A3



Open Angle Electric Gripper

※Notice :

1. The grip force varies with the grip distance, speed and the composition of the gripper.
2. Please set the torque between 30% and 80%.
3. The grip speed should set at 5%~20%
4. The moving speed should set at 5%~80%
5. When the grip force accuracy is at 20%~40% current value, the float value is ±20%,

Model No.	Single-finger travel stroke (mm)	Deceleration ratio	Driving element	Guide rail	Weight (kg)	Minimum grip force(N)	Maximum grip force (N)	One-way backlash (mm)	Repeatability Accuracy	Compatible motor	Compatible driver
<b>2-Finger Standard &amp; Narrow / Flat Series</b>											
GEA-P2-2008	4	26	Worm+ Gear+ Rack	Linear ball	0.23	13	39	0.1	±0.01mm	<input type="checkbox"/> 20 2-phase stepper motor	i-SERVO (**24V power input is an available option)
GEA-P2-2510	5	28			0.35	28	78	0.1		<input type="checkbox"/> 25 2-phase stepper motor	
GEA-P2-3521	10.5	26			0.98	38	139	0.2		<input type="checkbox"/> 35 2-phase stepper motor	
GEA-P2-4230	15	21			1.51	60	175	0.2		<input type="checkbox"/> 42 2-phase stepper motor	
<b>2-Finger Open Angle Series</b>											
GEA-A2-20180	90°	26	Worm+ Gear+	---	0.2	6	18.5	1	±0.1°	<input type="checkbox"/> 20 2-phase stepper motor	i-SERVO (**24V power input is an available option)
GEA-A2-25180	90°	28			0.5	13	38	1		<input type="checkbox"/> 25 2-phase stepper motor	
GEA-A2-35180	90°	26			1	14	63.5	1.5		<input type="checkbox"/> 35 2-phase stepper motor	
GEA-A2-42180	90°	21			1.4	18	70	1.5		<input type="checkbox"/> 42 2-phase stepper motor	
<b>2-Finger Long Travel Stroke Series</b>											
GEL-P2-2010-F	5	1	Ball screw+ Timing belt pulley	Gothic arch railway	0.5	15	45	-	±0.01mm	<input type="checkbox"/> 20 2-phase stepper motor	i-SERVO (**24V power input is an available option)
GEL-P2-2514-F	7	1			0.6	30	95	-		<input type="checkbox"/> 25 2-phase stepper motor	
GEL-P2-3532-F	16	2			1.3	85	320	-		<input type="checkbox"/> 35 2-phase stepper motor	
GEL-P2-4240-F	20	2			1.8	100	350	-		<input type="checkbox"/> 42 2-phase stepper motor	
<b>2-Finger Horizontal Long Travel Stroke Series</b>											
GELT-P2-2530-F	15	1	Ball screw+ Timing belt pulley	Linear ball guiding	0.6	40	145	0.2	±0.01mm	<input type="checkbox"/> 25 2-phase stepper motor	i-SERVO (**24V power input is an available option)
GELT-P2-2540-F	20	1			0.9	40	145	0.2		<input type="checkbox"/> 25 2-phase stepper motor	
<b>2-Finger Vertical Long Travel Stroke Series</b>											
GELM-P2-2526-F	15	1	Ball screw+ Timing belt pulley	Circular linear ball guiding	0.75	36	131	0.2	±0.01mm	<input type="checkbox"/> 25 2-phase stepper motor	i-SERVO (**24V power input is an available option)
GELM-P2-2526-F	20	1			1	36	131	0.2		<input type="checkbox"/> 25 2-phase stepper motor	
<b>2-Finger Simplified Series</b>											
GEE-P2-2010	5	2	Ball screw	Linear ball guiding	0.48	18	72	0.3	±0.01mm	<input type="checkbox"/> 28 2-phase stepper motor	i-SERVO (**24V power input is an available option)
GEE-P2-2514	7	2			0.56	15	60	0.3		<input type="checkbox"/> 28 2-phase stepper motor	
<b>3-Finger Standard &amp; Narrow / Flat Series</b>											
GEA-P3-2510	5	28	Worm+ Gear+ Rack	Cross roller guide rail	0.6	42	107	0.20	±0.01mm	<input type="checkbox"/> 25 2-phase stepper motor	i-SERVO (**24V power input is an available option)
GEA-P3-4214	7	21			1.2	49	193	0.30		<input type="checkbox"/> 42 2-phase stepper motor	
<b>3-Finger Open Angle Series</b>											
GEA-A3-2538	19°	28	Worm+ Gear+	---	0.6	24	46	0.20	±0.1°	<input type="checkbox"/> 25 2-phase stepper motor	i-SERVO (**24V power input is an available option)
GEA-A3-4238	19°	21			1.1	55	164	0.30		<input type="checkbox"/> 42 2-phase stepper motor	